



+1 (920) 234 5113

+852 2635 2285

+52 (55) 55 74 20 76

+86 147 154 84260

email: [info@gseint.com](mailto:info@gseint.com)

web: [www.gseint.com](http://www.gseint.com)

## Oil-less Compressor Tank

*EW Series*

*Flow Range* 40-240lpm (1.4-8.5cfm)

*Pressure Range* 5-7bar (73-102psi)

*Tank Volumn* 25-150L (5.7-34gallon)

- Oil-less, non-lubricated cup and cylinder ●
- Long-life cup design ●
- Thin wall cylinder for good heat transfer ●
- Field service ability ●
- Recoverable thermally protected motor ●
- 25L to 150L tank ●
- Standard Voltage 220V/50Hz ●

*Other voltage and configuration available upon request ●*

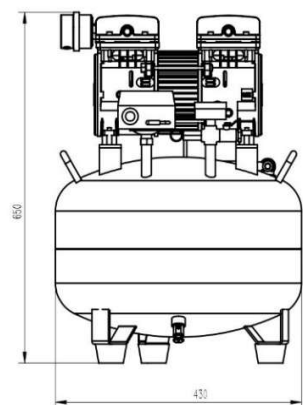


### Specifications

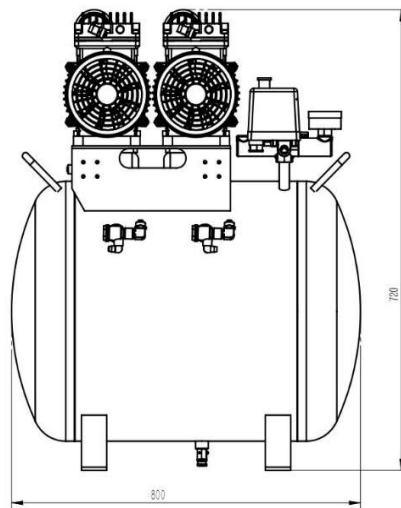
Model	1EW-25L	1EW-32L	2EW-32L	2EW-35L	3EW-60L	4EW-60L	5EW-90L	5EW-120L	6EW-90L	6EW-120L	7EW-120L	7EW-150L	8EW-120L	8EW-150L
Input Power	550W	550W	850W	850W	550W x 2	850W x 2	550W x 3	550W x 3	850W x 3	850W x 3	550W x 4	550W x 4	850W x 4	850W x 4
Air Flow at 7bar	40LPM	40LPM	60LPM	60LPM	40LPM x 2	60LPM x 2	40LPM x 3	40LPM x 3	60LPM x 3	60LPM x 3	40LPM x 4	40LPM x 4	60LPM x 4	60LPM x 4
Pressure Range	5-7bar	5-7bar	5-7bar	5-7bar	5-7bar	5-7bar	5-7bar	5-7bar	5-7bar	5-7bar	5-7bar	5-7bar	5-7bar	5-7bar
Tank Volumn	25L	32L	32L	35L	60L	60L	90L	120L	90L	120L	120L	150L	120L	150L
Noise Level	70dBA	70dBA	75dBA	75dBA	75dBA	80dBA	85dBA	85dBA	90dBA	90dBA	90dBA	90dBA	90dBA	90dBA
Net Weight	21kg	23kg	24kg	25kg	47kg	49kg	62kg	70kg	65kg	65kg	90kg	98kg	95kg	103kg
Gross Weight	23kg	26kg	27kg	28kg	63kg	65kg	78kg	86kg	81kg	81kg	115kg	123kg	120kg	128kg
Length	430mm	430mm	430mm	430mm	800mm	800mm	880mm	940mm	880mm	880mm	940mm	1020mm	940mm	1020mm
Width	430mm	430mm	430mm	430mm	430mm	430mm	450mm	450mm	450mm	450mm	450mm	450mm	450mm	450mm
Height	610mm	650mm	650mm	670mm	700mm	720mm	760mm	760mm	760mm	760mm	760mm	760mm	760mm	760mm

The information presented in this material is based on technical data and test results of nominal units. It is believed to be accurate and reliable and is offered as an aid to help in the selection of GSE products. It is the responsibility of the user to determine the suitability of the product for their intended use and the user assumes all risk and liability whatsoever in connection therewith. GSE does not warrant, guarantee or assume any obligation or liability in connection with this information.

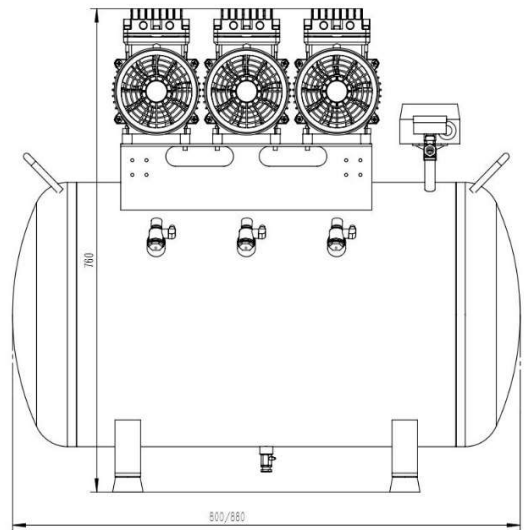
### Technical Drawings



2EW-32L



4EW-60L



6EW-90L

